



Design Communication II

-Material List-

IMPORTANT NOTE

It is recommended to buy supplies well in advance to allow for shipping/delivery time.

All drafting tools and design materials must be available from the first day of class.

DRAFTING TABLE
or
PORTABLE
DRAFTING BOARD

24"X36" MIN. SIZE

equipped with a
PARALLEL BAR

NOTE: The parallel bar may come with the portable board kit or be sold separately as an accessory. Make sure to choose the one with ball bearings underneath.

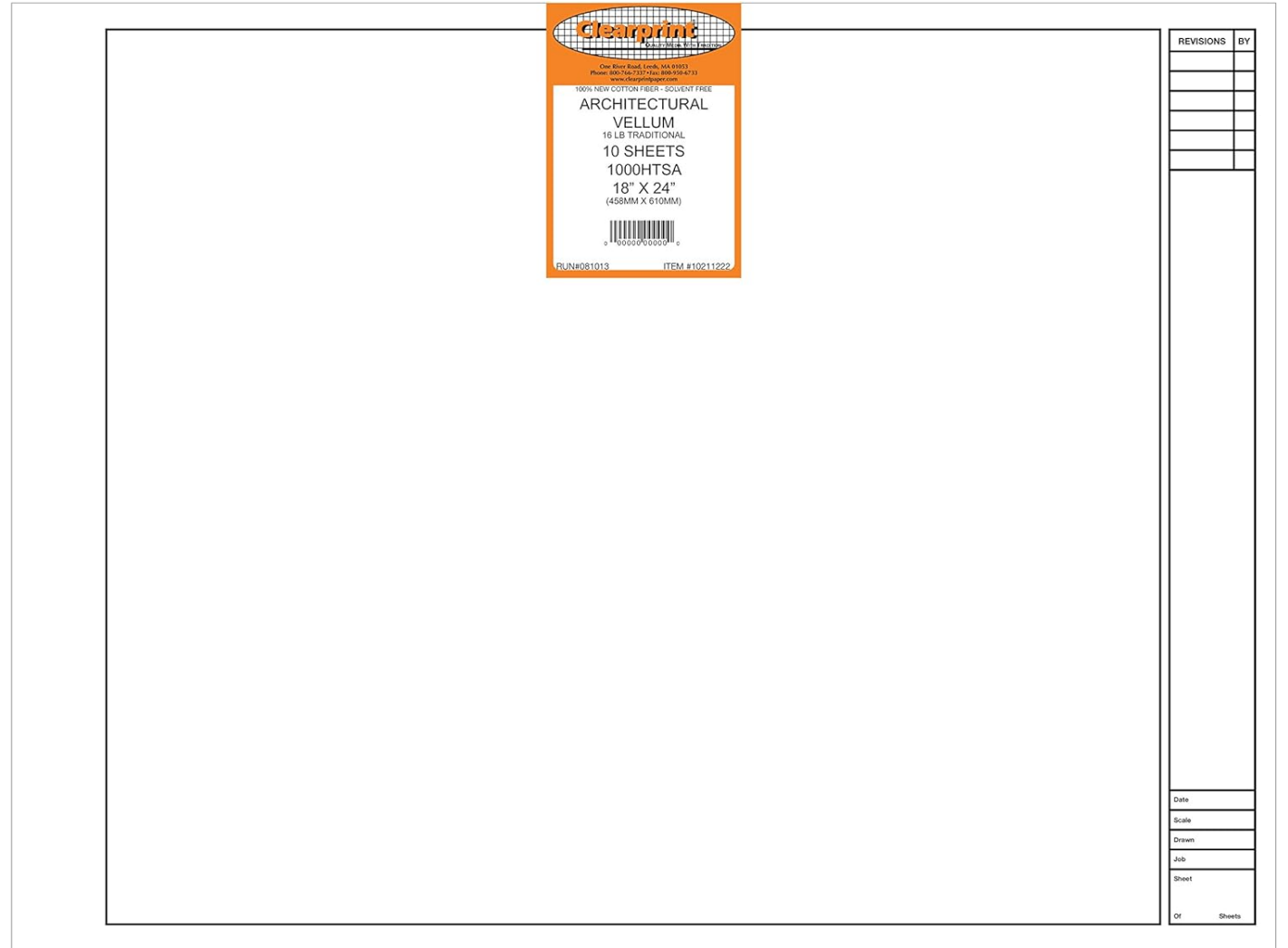


1000H VELLUM

18" x 24"

vellum sheets with vertical
titleblock and border

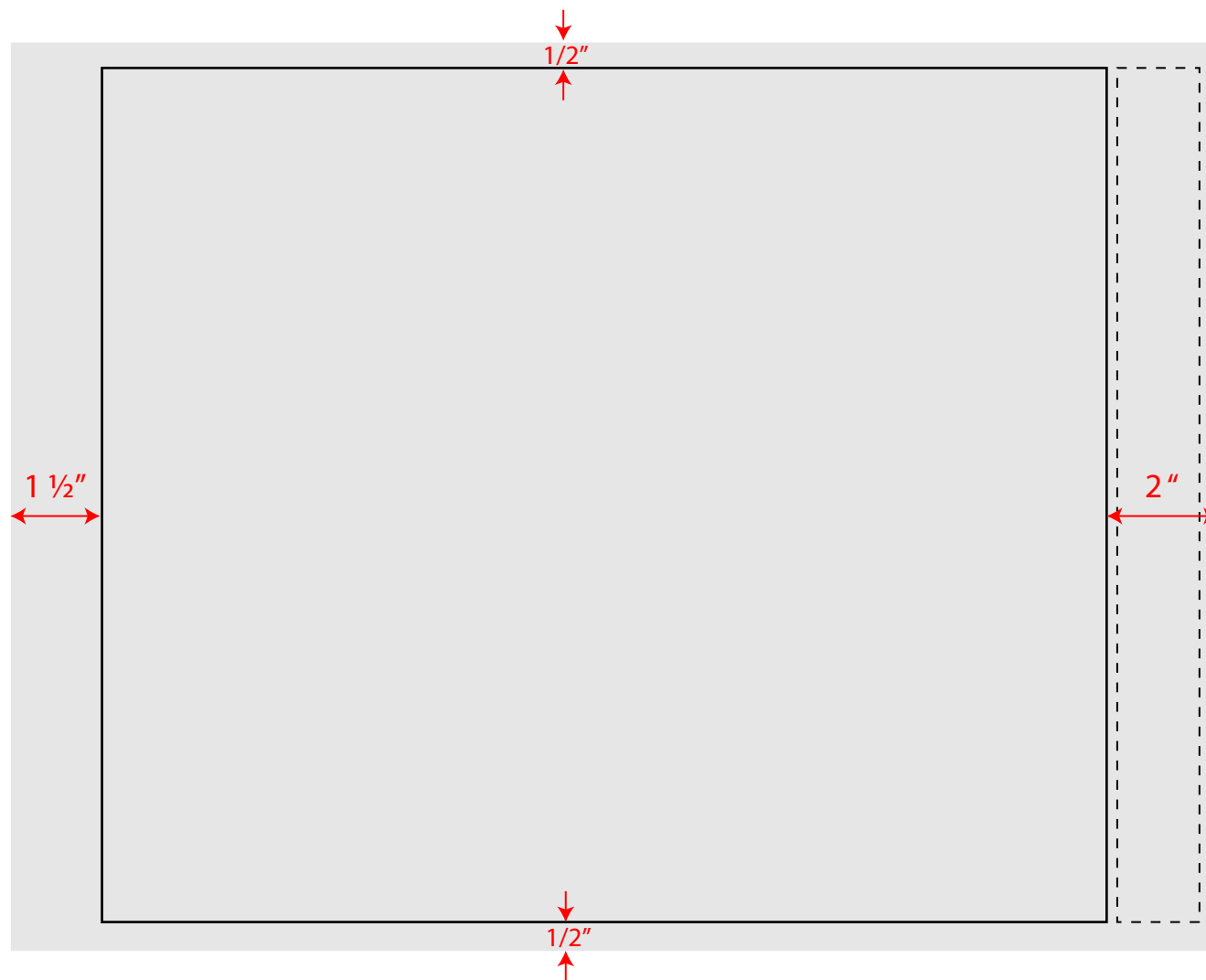
QTY: 15 SHEETS



If you can't find the vellum with the titleblock, you can purchase

15 BLANK 18" x 24" 1000H VELLUM SHEETS

Draw border lines with 0.8 felt pen and leave space on the right for the titleblock.



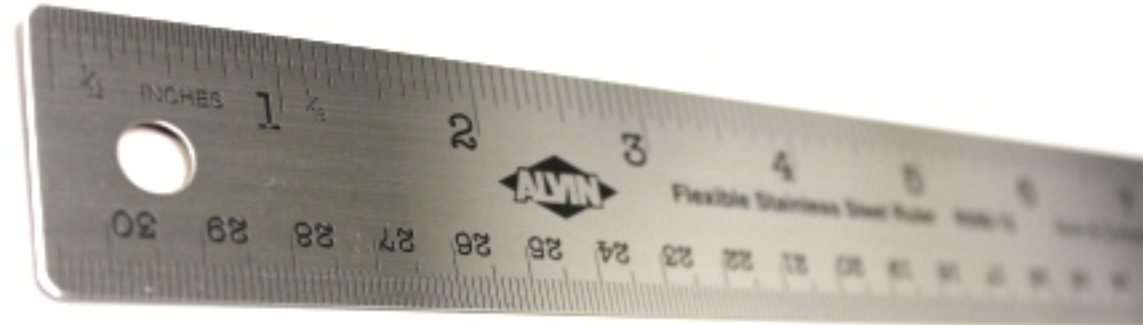
ARCHITECTURAL SCALE RULER

- PLASTIC not metal
- must have "ARCHITECT"
print on it (not Engineer/ing)
- Calibrated in FT/INCHES



METAL STRAIGHT EDGE

24" metal ruler with cork
or rubber backing

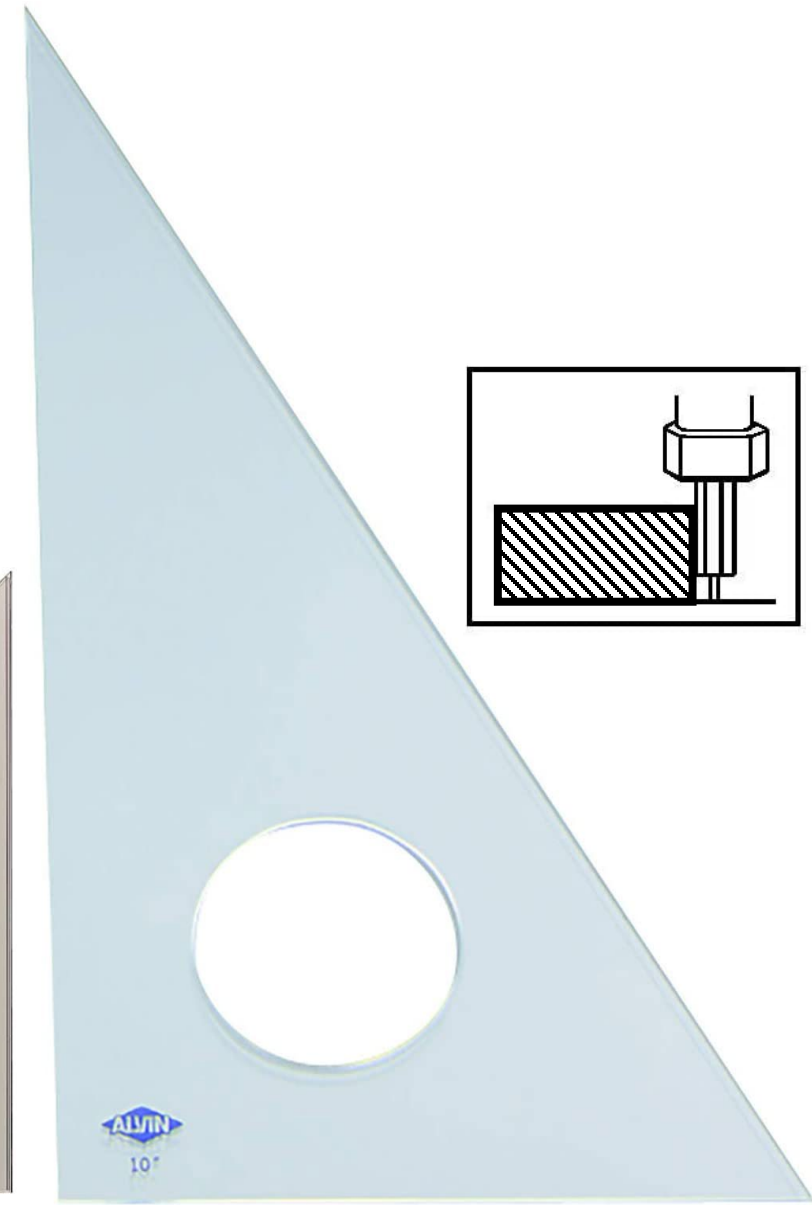
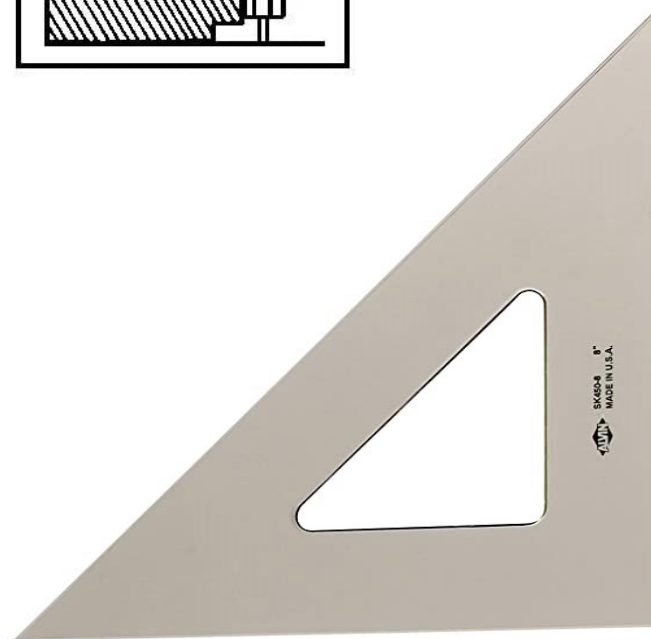
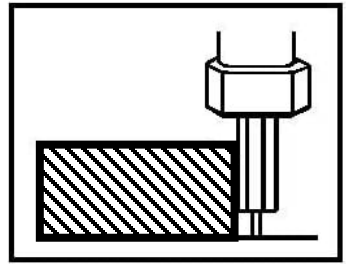
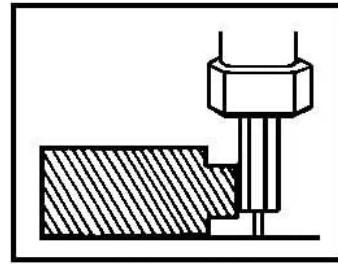


TRIANGLES

PLASTIC, CLEAR

1) 30/60 CLEAR, 18" tall min.,
not beveled edges

2) 45/45 SMOKED, 10" tall
min., with beveled edges



BLACK FELT TIP PENS

choose ONE SET between:

- COPIC MULTILINER (set A)
- PIGMA MICRON (6 pen set, sizes from 0.05 to 0.8)
- STAEDTLER PIGMENT LINER (6 pen set, sizes from 0.05 to 0.8)



MECHANICAL PENCILS

- 1 pencil 0.3 with 2H lead refills
- 1 pencil 0.5 with HB lead refills



ERASERS

- Staedtler MARS plastic white
- Kneaded rubber eraser



TAPE

- Drafting TAPE
or
drafting DOTS



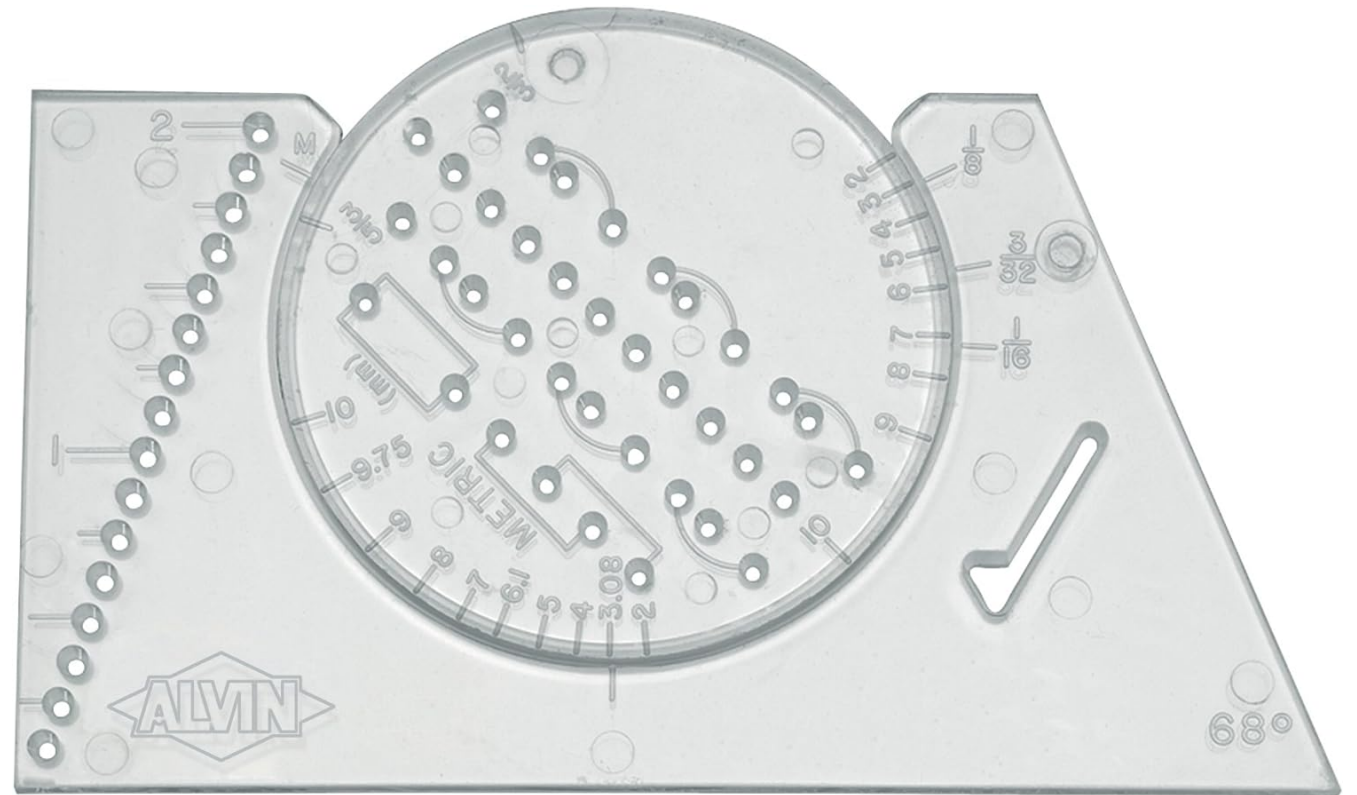
ROLL OF TRACING PAPER

14" or 18" height

flimsy-white color, not yellow

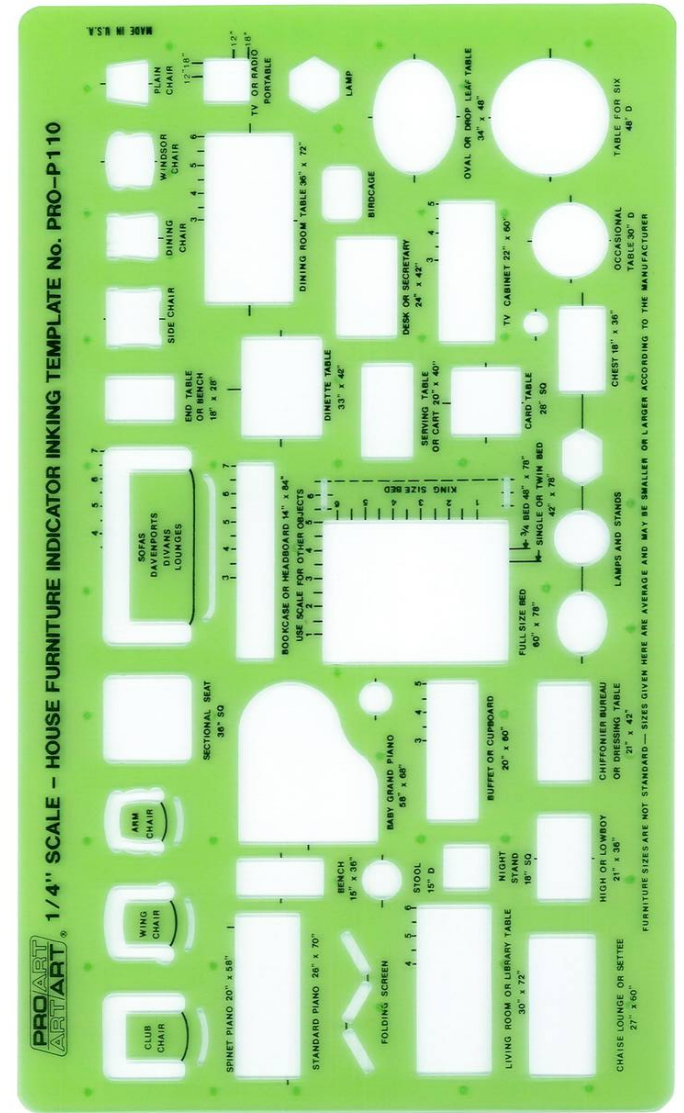
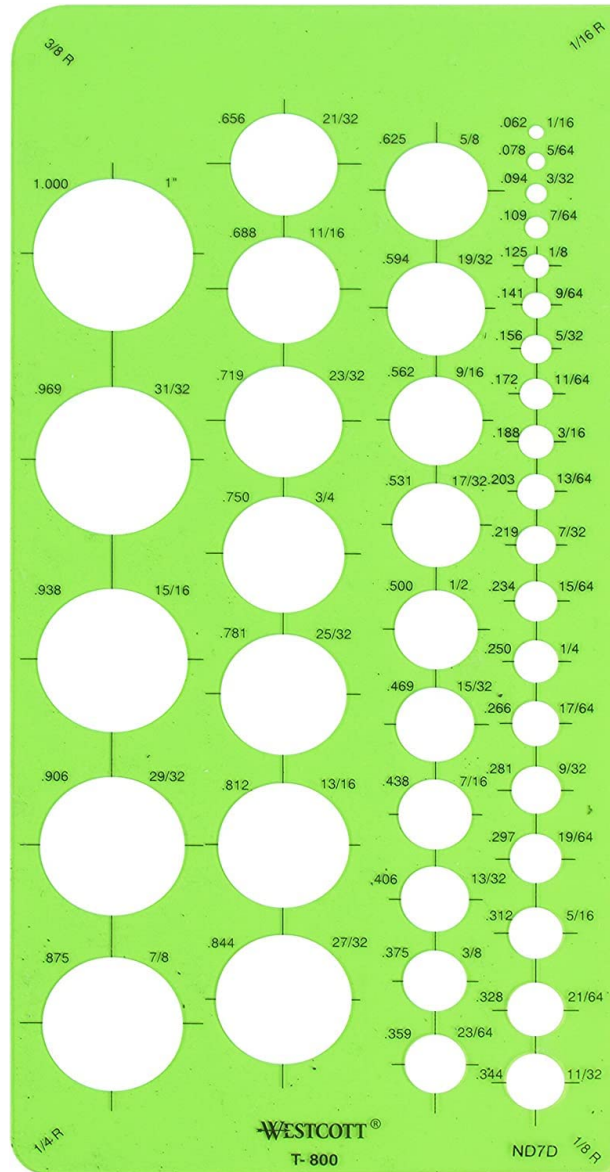


AMES LETTERING GUIDE



TEMPLATES

SMALL CIRCLES
and
1/4 FURNITURE
templates



25' TAPE MEASURE

calibrated w/feet/inches (one side)
and centimeters (other side)



DRAWING TUBE

Plastic with shoulder strap or
cardboard to carry (and store)
drawings and metal ruler

